



About Infiniti Microwave

Founded in April 2009, Infiniti Microwave has been an industry leader in the design and producing RF/microwave products such as filters, amplifiers. Infiniti Microwave has extensive experiences and rigorous quality control standards in the design and producing high quality, high performance microwave devices. Our products have been used in a wide range of application including wireless communications, mobile base stations and global positioning, medical imaging, as well as test and measurement equipment.



Product Series

ISW	SPDT Switches	1
IPA	Amplifiers: 1 to 2170 MHz PA	2
ILA	Amplifiers: 1 to 4200 MHz LNA	3
IAT	Attenuators	4
IBT	Bias-Ts	5
IHC	90 Degree Hybrid Couplers	6
IDCB	DC Blocks	7
IPD	Splitters & Combiners	8
ILD	Terminators & Loads	9



IMW Products

SPDT Switches

Model No.	Frequency	Frequency	Insertion Loss dB	Isolation dB	RF CW Handling W	VSWR, ratio Typical	Packages
	Min (MHz)	Max (MHz)					
SMA Connectorized							
ISW30A	100	2700	0.5	18	10.0	1.25:1	IP-5
ISW200A	1000	20000	1.5	35	1.0	1.5:1	IP-4B

Amplifiers: 1 to 2170 MHz PA

Model No.	Freq., MHz	NF, dB	Gain, dB	Gain Flat, dB	VSWR, Ratio	P1dB(Psat), dBm	IP3, dBm	DC Idd, mA	DC Power, V	Packages
	Min - Max	Typical	Typical	Typical	Typical/Max	Typical	Typical	Typical	Min - Max	
1. SMA Connectorized										
IPA003009A	30 - 90	2.5	17.0	+/- 0.2	1.5:1/2:1	30	43	220	12.0 - 16.0	IP-3
IPA000015B	1 - 150	3.0	17.0	+/- 0.2	1.5:1/2:1	29	43	220	12.0 - 16.0	IP-3
IPA002060A	20 - 600	3.0	17.0	+/- 0.2	1.5:1/2:1	30	43	220	12.0 - 16.0	IP-3
IPA009011A	88 - 110	2.5	17.0	+/- 0.1	1.5:1/2:1	30	43	220	12.0 - 16.0	IP-3
IPA014018A	135 - 175	2.5	17.0	+/- 0.1	1.5:1/2:1	30	43	220	12.0 - 16.0	IP-3
IPA038053A	380 - 530	2.5	17.0	+/- 0.2	1.5:1/2:1	30	43	220	12.0 - 16.0	IP-3
IPA047096A	470 - 960	3.7	14.0	+/- 0.5	1.8:1/2:1	29	43	220	12.0 - 16.0	IP-3
IPA017140A	175 - 1400	3.7	13.5	+/- 0.5	1.8:1/2:1	29	43	220	12.0 - 16.0	IP-3
IPA082089A	820 - 890	2.4	49.0	+/- 0.3	1.27:1/1.5:1	(44)	54	1650	26.0 - 30.0	WP-1M
IPA082089B	820 - 890	5.5	34.5	+/- 0.3	1.27:1/1.4:1	(44)	53	1520	26.0 - 30.0	WP-1M
IPA093096A	925 - 960	2.4	49.0	+/- 0.2	1.27:1/1.5:1	(44)	54	1600	26.0 - 30.0	WP-1M
IPA093096B	925 - 960	5.1	35.0	+/- 0.3	1.22:1/1.5:1	(44)	54	1470	26.0 - 30.0	WP-1M
IPA082096A	820 - 960	2.4	48.5	+/- 0.5	1.27:1/1.5:1	(44)	53	1600	26.0 - 30.0	WP-1M
IPA082096C	820 - 960	2.5	46.0	+/- 0.5	1.22:1/1.45:1	47	57	3700	26.0 - 30.0	WP-1M
IPA181188A	1805 - 1880	2.1	45.0	+/- 0.5	1.27:1/1.5:1	(42.5)	53	1000	26.0 - 30.0	WP-1M
IPA193199A	1930 - 1990	2.0	43.0	+/- 0.5	1.27:1/1.5:1	(42.5)	56	1150	26.0 - 30.0	WP-1M
IPA211217A	2110 - 2170	2.0	41.5	+/- 0.5	1.27:1/1.5:1	(42.5)	54	1350	26.0 - 30.0	WP-1M
2. N Coconnectorized										
IPA003009N	30 - 90	2.5	17.0	+/- 0.2	1.5:1/2:1	30	43	220	12.0 - 16.0	IP-2
IPA000015P	1 - 150	3.0	17.0	+/- 0.2	1.5:1/2:1	29	43	220	12.0 - 16.0	IP-2
IPA002060N	20 - 600	3.0	17.0	+/- 0.2	1.5:1/2:1	30	43	220	12.0 - 16.0	IP-2
IPA009011N	88 - 110	2.5	17.0	+/- 0.1	1.5:1/2:1	30	43	220	12.0 - 16.0	IP-2
IPA014018N	135 - 175	2.5	17.0	+/- 0.1	1.5:1/2:1	30	43	220	12.0 - 16.0	IP-2
IPA038053N	380 - 530	2.5	17.0	+/- 0.2	1.5:1/2:1	30	43	220	12.0 - 16.0	IP-2
IPA047096N	470 - 960	3.7	14.0	+/- 0.5	1.8:1/2:1	29	43	220	12.0 - 16.0	IP-2
IPA017140N	175 - 1400	3.7	13.5	+/- 0.5	1.8:1/2:1	29	43	220	12.0 - 16.0	IP-2

Amplifiers: 1 to 4200 MHz LNA

Model No.	Freq., MHz	NF, dB	Gain, dB	Gain Flat., dB	VSWR, Ratio	P1dB, dBm	IP3, dBm	DC Idd, mA	DC Power, V	Packages
	Min - Max	Typical/Max	Typical	Typical	Typical/Max	Typical	Typical	Typical	Min - Max	
1. SMA Connectorized										
ILA000050B	1 - 500	1.0/1.4	20.0	+/- 0.5	1.5:1/1.8:1	10	20	25	8.0 - 16.0	IP-3
ILA002050A	20 - 500	1.0/1.4	20.0	+/- 1.0	1.5:1/1.8:1	10	20	25	8.0 - 16.0	IP-3
ILA002050B	20 - 500	0.8/1.5	21.0	+/- 1.0	1.35:1/1.7:1	17	30	50	8.0 - 16.0	IP-3
ILA020055A	200 - 550	0.55/0.7	42.0	+/- 1.0	1.2:1/1.4:1	18	35	90	7.0 - 16.0	IP-3
ILA002100A	20 - 1000	1.0/1.6	20.0	+/- 1.0	1.35:1/1.8:1	10	25	25	8.0 - 16.0	IP-3
ILA002100B	20 - 1000	1.0/1.5	32.0	+/- 0.5	1.35:1/1.65:1	11	25	30	7.0 - 16.0	IP-3
ILA010100A	100 - 1000	0.9/1.3	19.0	+/- 1.0	1.35:1/1.5:1	10	22	25	8.0 - 16.0	IP-3
ILA020100A	200 - 1000	0.7/1.0	20.0	+/- 1.0	1.35:1/1.5:1	17	33	65	8.0 - 16.0	IP-3
ILA050100A	500 - 1000	0.5/0.7	38.0	+/- 1.0	1.25:1/1.5:1	19	30	100	7.0 - 16.0	IP-3
ILA080130A	800 - 1300	1.0/1.4	17.0	+/- 1.5	1.35:1/1.5:1	10	25	25	8.0 - 16.0	IP-3
ILA010160A	100 - 1600	1.0/1.4	19.0	+/- 1.5	1.5:1/1.8:1	10	22	25	8.0 - 16.0	IP-3
ILA120160A	1200 - 1600	0.90 / 1.2	17.0	+/-0.2	1.35:1/1.6:1	15	29	35	8.0 - 16.0	IP-3
ILA120160B	1200 - 1600	0.5/0.7	32.5	+/- 1.0	1.25:1/1.5:1	10	21	40	7.0 - 16.0	IP-3
ILA110165A	1100 - 1650	0.50 / 0.80	32.0	+/- 1.0	1.35:1/1.5:1	7	17	20	8.0 - 16.0	IP-3

Specifications and information are subject to change without notice.

* Tel: +86 591 87812519 * FAX: +86 591 87303613 * E-mail: sales@infinitimw.com.cn * Web site: www.infinitimw.com.cn



ILA100200A	1000 - 2000	1.0/1.3	33.0	+/- 1.0	1.35:1/1.5:1	12	25	40	8.0 - 16.0	IP-3
ILA120220A	1200 - 2200	0.9/1.2	17.0	+/- 0.5	1.35:1/1.6:1	15	29	35	8.0 - 16.0	IP-3
ILA170220A	1700 - 2200	1.0/1.4	15.0	+/- 0.5	1.35:1/1.5:1	13	27	25	8.0 - 16.0	IP-3
ILA200260A	2000 - 2600	0.65/0.9	26.0	+/- 0.8	1.3:1/1.5:1	12	23	55	7.0 - 16.0	IP-3
ILA220270A	2200 - 2700	1.0/1.4	15.0	+/- 0.5	1.35:1/1.5:1	15	27	25	8.0 - 16.0	IP-3
ILA170270A	1700 - 2700	1.0/1.4	15.0	+/- 1.0	1.35:1/1.5:1	13	27	25	8.0 - 16.0	IP-3
ILA050270A	500 - 2700	1.0/1.4	15.0	+/- 0.5	1.35:1/1.5:1	10	20	20	8.0 - 16.0	IP-3
ILA060270A	600 - 2700	1.0/1.4	30.0	+/- 1.5	1.35:1/1.5:1	12	25	50	8.0 - 16.0	IP-3
ILA002300A	20 - 3000	1.3/1.6	15.0	+/- 0.5	1.35:1/1.8:1	12	25	25	8.0 - 16.0	IP-3
ILA150320A	1500 - 3200	1.2/1.5	28.0	+/- 1.0	1.35:1/1.5:1	12	25	55	8.0 - 16.0	IP-3
ILA300350A	3000 - 3500	1.2/1.5	25.0	+/- 0.5	1.35:1/1.5:1	12	25	55	8.0 - 16.0	IP-3
ILA200400A	2000 - 4000	1.2/1.5	25.0	+/- 1.0	1.5:1/1.8:1	12	25	55	8.0 - 16.0	IP-3
ILA047420A	470 - 4200	1.2/1.5	25.0	+/- 1.0	1.5:1/1.8:1	12	25	65	8.0 - 16.0	IP-3
ILA020400A	200 - 4000	1.2/1.5	29.0	+/- 0.8	1.5:1/1.8:1	13	26	54	7.0 - 16.0	IP-3

2. N Coconnectorized

ILA000050P	1 - 500	1.0/1.4	20.0	+/- 0.5	1.5:1/1.8:1	10	20	25	8.0 - 16.0	IP-2
ILA002050N	20 - 500	1.0/1.4	20.0	+/- 1.0	1.5:1/1.8:1	10	20	25	8.0 - 16.0	IP-2
ILA002100N	20 - 1000	1.0/1.6	20.0	+/- 1.0	1.35:1/1.8:1	10	25	25	8.0 - 16.0	IP-2
ILA010100N	100 - 1000	0.9/1.3	19.0	+/- 1.0	1.35:1/1.5:1	10	22	25	8.0 - 16.0	IP-2
ILA002100N	200 - 1000	0.7/1.0	20.0	+/- 1.0	1.35:1/1.5:1	17	33	65	8.0 - 16.0	IP-2
ILA010160N	100 - 1600	1.0/1.4	19.0	+/- 1.5	1.5:1/1.8:1	10	22	25	8.0 - 16.0	IP-2
ILA080130N	800 - 1300	1.0/1.4	17.0	+/- 1.5	1.35:1/1.5:1	10	25	25	8.0 - 16.0	IP-2
ILA120160N	1200 - 1600	0.9 / 1.2	17.0	+/-0.2	1.35:1/1.6:1	15	29	35	8.0 - 16.0	IP-2
ILA110165N	1100 - 1650	0.5 / 0.8	32.0	+/- 1.0	1.35:1/1.5:1	7	17	20	8.0 - 16.0	IP-2
ILA100200N	1000 - 2000	1.0/1.3	33.0	+/- 1.0	1.35:1/1.5:1	12	25	40	8.0 - 16.0	IP-2
ILA120220N	1200 - 2200	0.9/1.2	17.0	+/- 0.5	1.35:1/1.6:1	15	29	35	8.0 - 16.0	IP-2
ILA170220N	1700 - 2200	1.0/1.4	15.0	+/- 0.5	1.35:1/1.5:1	13	27	25	8.0 - 16.0	IP-2
ILA220270N	2200 - 2700	1.0/1.4	15.0	+/- 0.5	1.35:1/1.5:1	15	27	25	8.0 - 16.0	IP-2
ILA170270N	1700 - 2700	1.0/1.4	15.0	+/- 1.0	1.35:1/1.5:1	13	27	25	8.0 - 16.0	IP-2
ILA050270N	500 - 2700	1.0/1.4	15.0	+/- 0.5	1.35:1/1.5:1	10	20	20	8.0 - 16.0	IP-2
ILA060270N	600 - 2700	1.0/1.4	30.0	+/- 1.5	1.35:1/1.5:1	12	25	50	8.0 - 16.0	IP-2
ILA002300N	20 - 3000	1.3/1.6	15.0	+/- 0.5	1.35:1/1.8:1	12	25	25	8.0 - 16.0	IP-2

3. SMA Coconnectorized Limiter Amplifiers

ILA115162L	1145 - 1616	0.7/ 0.9	32	+/- 0.75	1.25:1/1.6:1	19	28	80	7.0 - 16.0	IP-3
ILA120160L	1200 - 1600	0.7/ 1.0	28	+/- 0.7	1.25:1/1.65:1	1	-	21	7.0 - 16.0	IP-3
ILA120160M	1200 - 1600	0.7/ 0.9	32.5	+/- 1.0	1.25:1/1.5:1	10	22	40	7.0 - 16.0	IP-3
ILA100450L	1000 - 4200	1.25/1.7	26	+/- 1.0	1.4:1/1.8:1	15	26	50	7.0 - 16.0	IP-3

Attenuators

Model No.	Frequency	Frequency	Attenuation	Attenuation Variation	RF CW Handling	VSWR, ratio	Packages
	Min (MHz)	Max (MHz)	dB	Max (dB)	W	Typical	
SMA Connectorized							
IAT06A	DC	6000	3.5	+/- 1.0	20.0	1.2:1	IP-11
IAT06B	DC	6000	10.0	+/- 1.0	20.0	1.2:1	IP-11
IAT06C	DC	6000	15.0	+/- 1.0	20.0	1.2:1	IP-11
IAT06D	DC	6000	20.0	+/- 1.0	20.0	1.2:1	IP-11
IAT06E	DC	6000	30.0	+/- 1.0	20.0	1.2:1	IP-11
IAT06F	DC	6000	6.0	+/- 1.0	20.0	1.2:1	IP-11

Bias-Ts

Model No.	Frequency	Frequency	DC Current	Insertion Loss	Isolation	DC Voltage	RF CW Power	VSWR, ratio	Packages
	Min (MHz)	Max (MHz)	Max (mA)	Typical (dB)	RF Port to DC Port (dB)	Max (V)	Max (W)	Typical	
1. SMA Connectorized									
IBT45A	15	4500	600	0.2	45	50	20	1.2:1	IP-3
IBT60A	20	6000	350	0.3	45	50	10	1.22:1	IP-3
IBT138A	20	13800	220	0.3	40	50	2	1.22:1	IP-4A
IBT30A	10	3000	3000	0.3	45	50	30	1.22:1	IP-3
IBT180A	20	18000	220	0.5	40	16	2	1.22:1	IP-4A
IBT200A	20	20000	220	0.5	40	16	2	1.22:1	IP-4A

Specifications and information are subject to change without notice.

* Tel: +86 591 87812519 * FAX: +86 591 87303613 * E-mail: sales@infinitimw.com.cn * Web site: www.infinitimw.com.cn



2. N Coconnectorized									
IBT42N	15	4200	600	0.3	45	50	20	1.2:1	IP-2
IBT30N	10	3000	3000	0.3	45	50	30	1.22:1	IP-2

90 Degree Hybrid Couplers

Model No.	No of Ways	Frequency MHz	Insertion Loss +/- dB	Phase Unbalance Degree	Amplitude Unbalance dB	VSWR Ratio	PWR Rating W	Isolation dB	Packages
		Min - Max	Typical / Max	Typical / Max	Typical / Max	Typical / Max	Max	Typical	
SMA Connectorized									
IHC450A	2	380 - 520	0.2 / 0.7	0.5 / 5.0	0.2 / 0.8	1.22:1/1.5:1	10	20	IP-1
IHC700A	2	470 - 930	0.5 / 1.1	0.5 / 5.0	0.4 / 0.8	1.22:1/1.5:1	10	20	IP-1
IHC890A	2	820-960	0.2 / 0.5	0.3 / 3.0	0.2 / 0.5	1.22:1/1.5:1	10	30	IP-1
IHC1700A	2	700 - 2700	0.5 / 1.3	0.5 / 5.0	0.2 / 0.8	1.22:1/1.5:1	10	20	IP-1
IHC1520A	2	1200 - 1850	0.5 / 1.0	0.5 / 4.0	0.4 / 0.8	1.22:1/1.5:1	10	20	IP-1
IHC1850A	2	1700 - 2000	0.5 / 1.0	0.5 / 4.0	0.4 / 0.8	1.22:1/1.5:1	10	20	IP-1
IHC3000A	2	2000 - 4000	0.5 / 1.2	0.5 / 5.0	- / 1.3	1.22:1/1.5:1	10	20	IP-1
IHC2500B	2	2300 - 2700	0.25 / 0.6	0.5 / 4.0	- / 1.0	1.22:1/1.5:1	10	23	IP-1
IHC1950A	2	1930-1980	0.25 / 0.5	0.3 / 3.0	- / 1.0	1.22:1/1.5:1	10	23	IP-1
IHC2150A	2	2000-2300	0.25 / 0.5	0.3 / 3.0	- / 1.0	1.22:1/1.5:1	10	23	IP-1
IHC2500A	2	2100 - 2900	0.3 / 0.7	0.5 / 4.0	- / 1.0	1.22:1/1.5:1	10	23	IP-1

DC Blocks

Model No.	Frequency	Frequency	Insertion Loss	RF CW Handling	VSWR, ratio	DC Voltage	Packages
	Min (GHz)	Max (GHz)	Typical (dB)	W	Typical	Max (V)	
SMA Connectorized							
IDCB40A	0.01	4	0.2	20.0	1.22:1	50	IP-4C
IDCB180A	0.01	18	0.3	2.0	1.25:1	16	IP-4C

Splitters & Combiners

Model No.	No of Ways	Frequency MHz	Insertion Loss +/- dB	Phase Unbalance Degree	Amplitude Unbalance dB	VSWR Ratio	PWR Rating W	Isolation dB	Packages
		Min - Max	Typical / Max	Typical / Max	Typical / Max	Typical / Max	Max	Min	
1. SMA Connectorized									
IPD10A	2	10 - 1000	0.50 / 1.20	1.0 / 5.0	0.2 / 1.00	1.22:1/1.5:1	0.1	20	IP-1
IPD27A	2	700 - 2700	0.50 / 1.20	1.0 / 5.0	0.2 / 1.00	1.22:1/1.5:1	0.1	18	IP-1
IPD40A	2	1000 - 4000	0.50 / 1.20	1.0 / 5.0	0.2 / 1.00	1.22:1/1.5:1	0.1	18	IP-1
2. N Coconnectorized									
IPD40N	2	1000 - 4000	0.50 / 1.40	1.0 / 5.0	0.2 / 1.00	1.22:1/1.5:1	0.1	18	IP-2A

Terminators & Loads

Model No.	SMA Type	Frequency	Frequency	RF CW Handling	VSWR, ratio	Packages
		Min (MHz)	Max (MHz)	W	Typical	
SMA Connectorized						
ILD60A1	SMA Female	DC	6000	20.0	1.20:1	IP-4D
ILD60A2	SMA Male	DC	6000	20.0	1.20:1	IP-4D
ILD130A1	SMA Female	DC	13000	20.0	1.20:1	IP-4D
ILD130A2	SMA Male	DC	13000	20.0	1.20:1	IP-4D

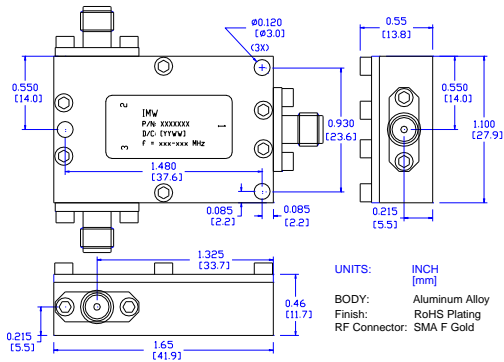
Specifications and information are subject to change without notice.

* Tel: +86 591 87812519 * FAX: +86 591 87303613 * E-mail: sales@infinitimw.com.cn * Web site: www.infinitimw.com.cn

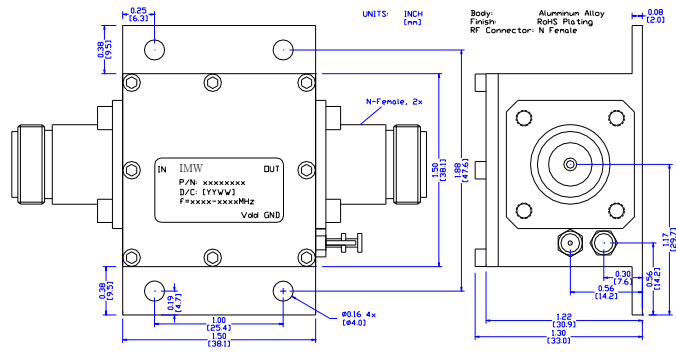


Package Outline

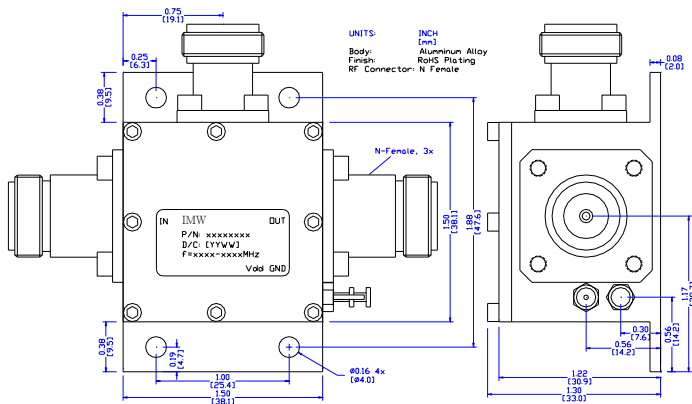
1. IP-1



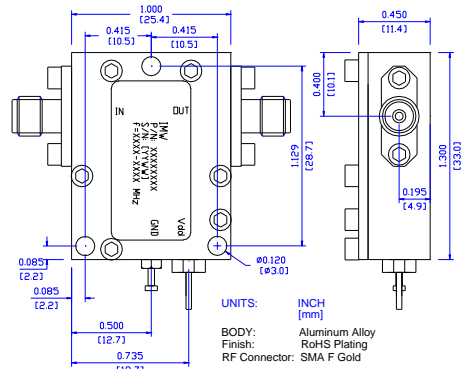
2. IP-2



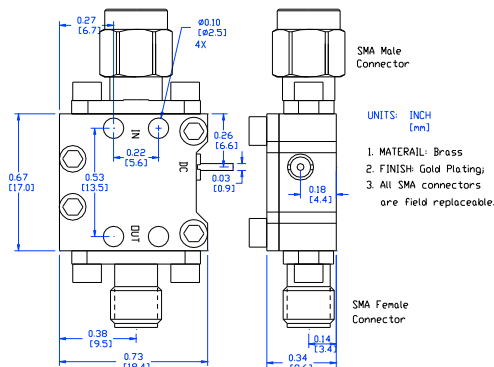
3. IP-2A



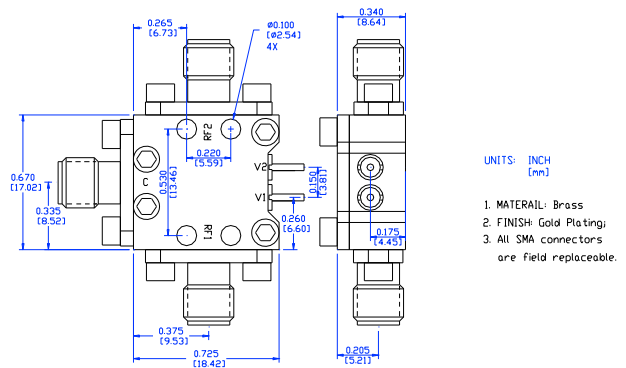
4. IP-3



5. IP-4A



6. IP-4B

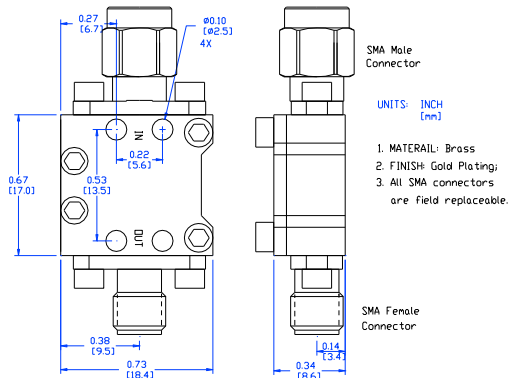


Specifications and information are subject to change without notice.

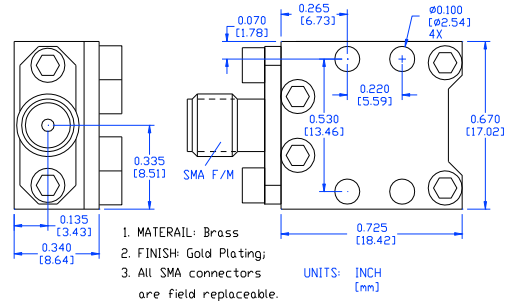
* Tel: +86 591 87812519 * FAX: +86 591 87303613 * E-mail: sales@infinitimw.com.cn * Web site: www.infinitimw.com.cn



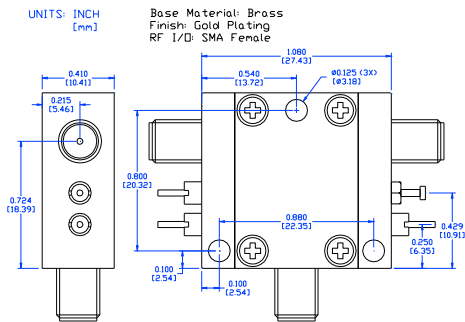
7. IP-4C



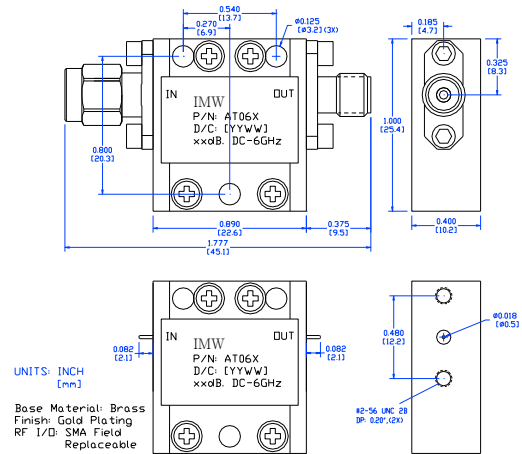
8. IP-4D



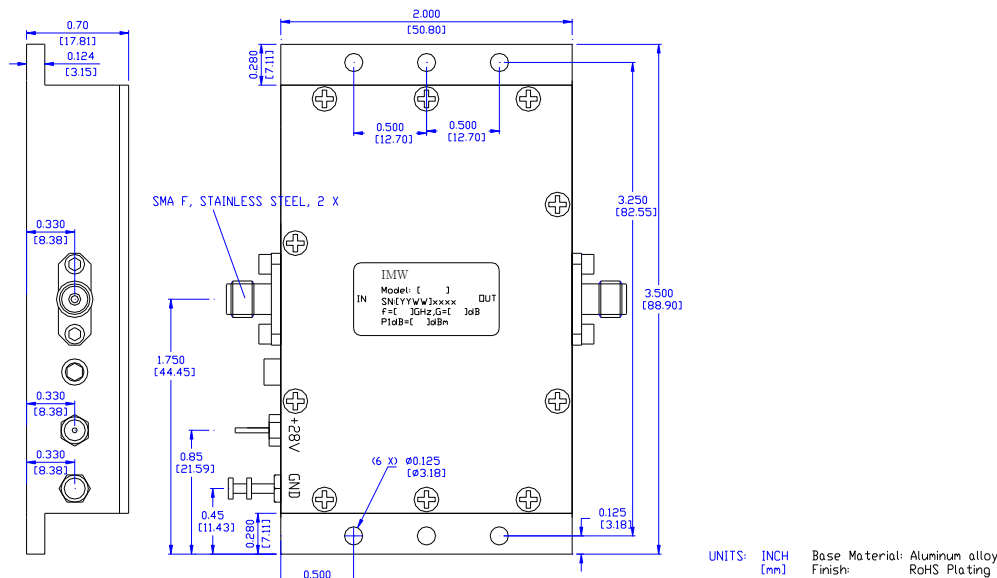
9. IP-5



10. IP-11



11. WP-1M





Company Headquarter

3/F., Building 6, Zone B, Software Park,
89 Software Rd., Fuzhou, Fujian, China
Tel.: 86-591-8781 2519
Fax: 86-591-8730 3613
E-mail: sales@infinitimw.com.cn

Global Distributors

Richardson Electronics,Ltd.
40W267 Keslinger Road P.O. Box 393
LaFox Illinois 60147-0393
Tel: 1-630-208-2663
E-mail:bneylon@rell.com
[Web: www.rell.com](http://www.rell.com)

Authorized Sales In Mainland China

Unicent Ltd.
2/F., Building 6, Zone B, Software Park,
89 Software Rd., Fuzhou, Fujian, China
Tel.: 86-591-8786 1527
Fax: 86-591-8786 0152
E-mail: zhoux@unicent.net

Walasey (China) Ltd.
18I, Greenland S&T Building,
201 Ningxia Road, Shanghai, China
Tel.: 86-21-5109 8665
Fax: 86-21-5109 5883
E-mail: tompeng@walasey.com